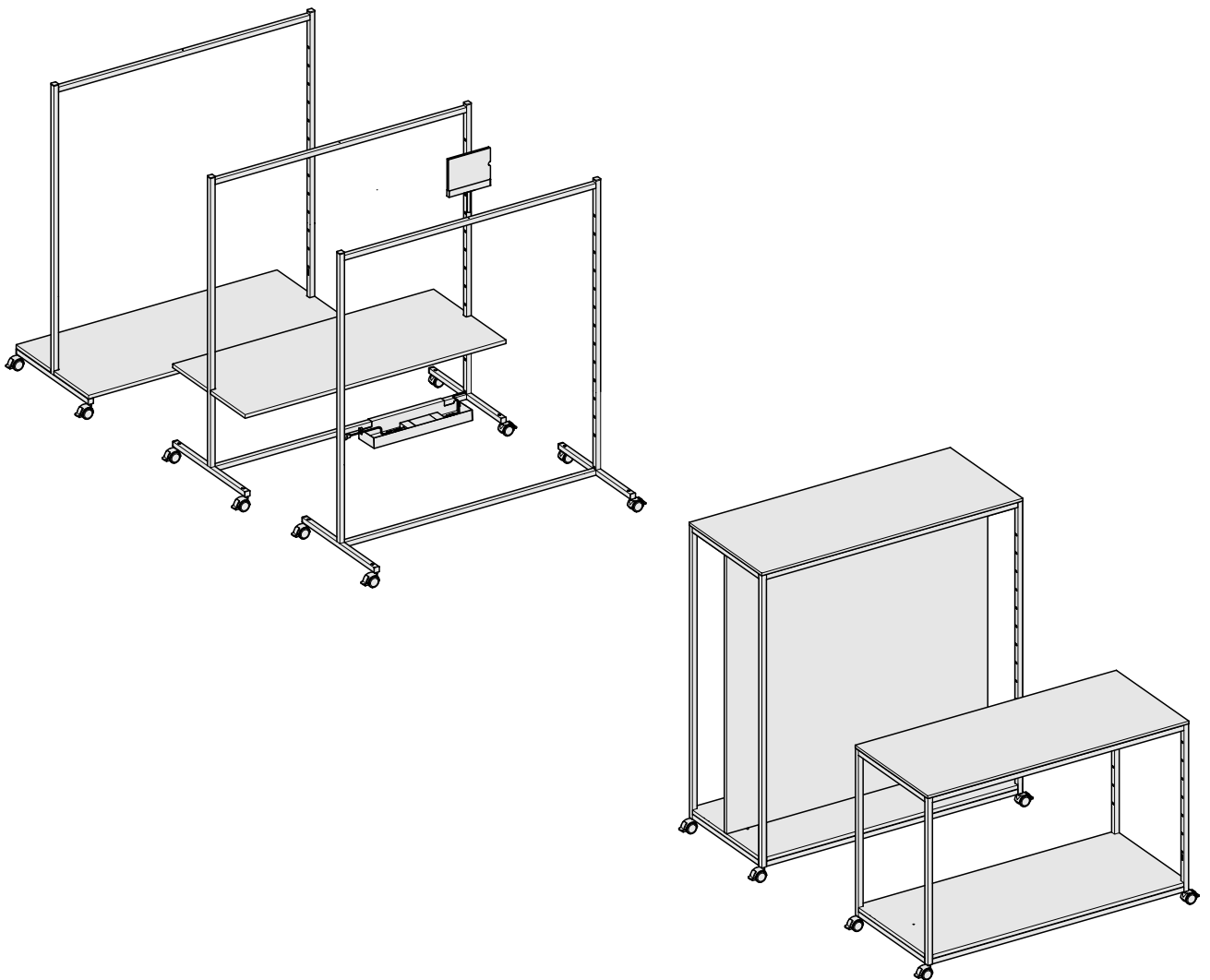


Qubo M

Instructions for assembly and use



visplay

Content

1	Safety	4
1.1	Hazard levels indicated by warning notices.....	4
1.2	Explanation of symbols.....	5
1.3	Intended use.....	5
1.4	General safety.....	6
2	Product description	7
3	Unpacking	8
4	Assembly	9
4.1	Bar stand.....	9
4.2	Gondola and display table.....	11
4.3	LED lighting in the upper top shelf (gondola and display table).....	13
4.4	LED illuminated frame and Invisible 3 head panel.....	14
4.5	Partition.....	15
4.6	Hanger arm.....	16
4.7	Non-electrified shelf frames.....	16
4.8	Electrified shelf frame.....	17
4.9	Support frame for non-electrified shelf.....	17
4.10	Support frame for electrified shelf.....	18
4.11	Hanging rail for central space.....	18
5	Operation	19
5.1	Cleaning.....	19
5.2	Storage.....	19
5.3	Disposal.....	19
6	Technical data	20

1 Safety

This manual is provided to ensure the safe and effective use of the “Qubo M” product.

This manual is a component of the product and must be kept on hand in the vicinity of the product at all times.

All personnel who deal with the product must have read this manual. Compliance with all the safety instructions and handling instructions specified in this manual is a prerequisite for safe work.

The illustrations in this manual are provided for the purposes of general understanding and may deviate from the actual version.

All dimension information in this manual is specified in mm.

Quality assurance

All processes in our company are subject to a comprehensive management system, which conforms to the ISO 9001 quality standard and the ISO 14001 environmental standard.

The Zertifizierungs- und Umweltgutachter GmbH (BSI) company audits this management system regularly and documents compliance with the standard via a certificate.

Copyright

This manual is protected by copyright. Its use is permissible as part of the use of the product.

Any use other than this is not permitted without the written consent of the manufacturer.

Our General Terms and Conditions apply for all orders.

1.1 Hazard levels indicated by warning notices

The following hazard levels alert you to potentially dangerous situations:

DANGER

This warning notice indicates a dangerous situation that will result in death or serious injury if it is not avoided.

WARNING

A warning notice designated in this manner indicates a potentially dangerous situation that can result in death or serious injury if it is not avoided.

CAUTION

A warning notice designated in this manner indicates a dangerous situation that could result in slight or minor injury if it is not avoided.

NOTE

A warning notice designated in this manner indicates a potentially dangerous situation that could result in material damage or environmental damage if it is not avoided.

1.2 Explanation of symbols



Specific instructions for better understanding and operation.

► Individual step

1. Numbered instruction

2. ...

3.

① Action number: defines the sequence of actions in illustrations and is marked in the text.

[1] Position number: Indicated by text in square brackets.

1.3 Intended use

The product is designed exclusively to hold merchandise supports for displaying goods.

The product may be used solely in compliance with the permissible load values (see Seite 20).

Only merchandise supports and consumers that comply with the specifications in this manual are approved.

In the event of misuse, there is the danger that the merchandise supports and the electrical devices will be damaged. This can result in injuries and damage to the product.

Area of application

The product may only be used in the commercial area.

Personnel

This manual describes how to install the product and how to operate and clean the product. Consequently after the product is installed this manual must be transferred to the end user.

The contents of the section on "Assembly" is directed at personnel, who undertake the assembly and the electrical connection (e.g. sales personnel, visual merchandisers).

1.4 General safety

Carefully read the following safety instructions and information for safe operation before starting work.

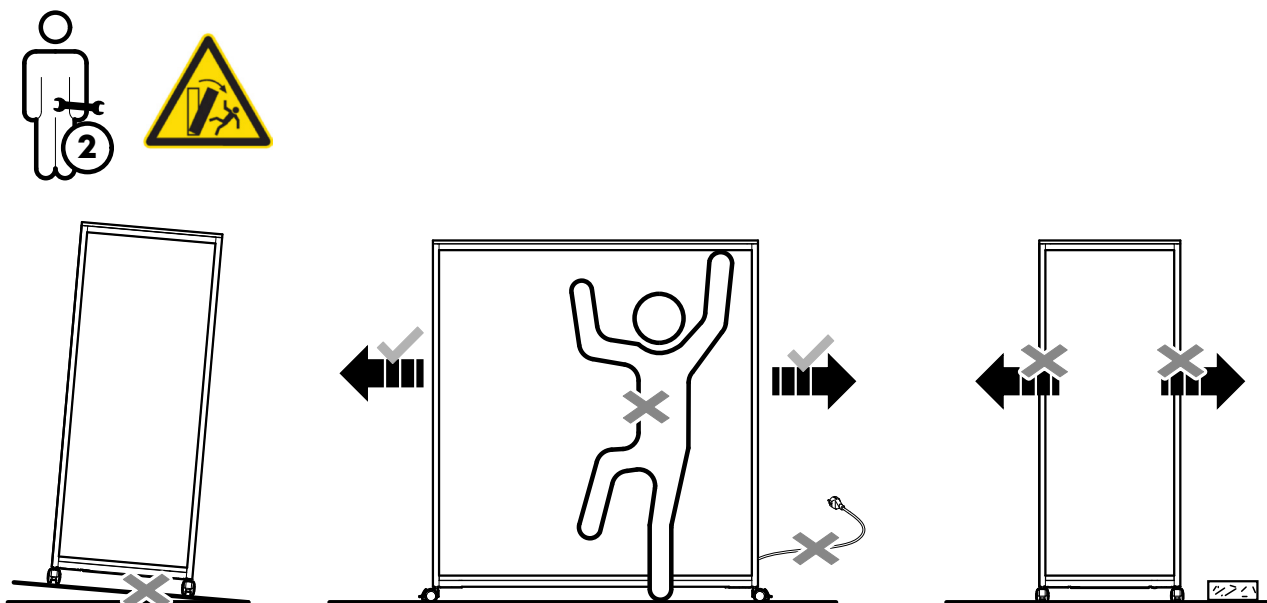
Familiarise yourself with all the functions of the product.

- Use only approved accessories and electrical devices.
- Comply with the permitted connection, maximum load and equipment values.
- Do not lean any ladders against the merchandise supports.
- Do not load the merchandise supports above the maximum load capacity.
- Do not place any receptacles, from which fluids can escape, on the merchandise support.
- Keep moisture away from current conducting components.

⚠ CAUTION

Trip hazard

- ▶ Do not lay mains power leads and cables in thoroughfares.

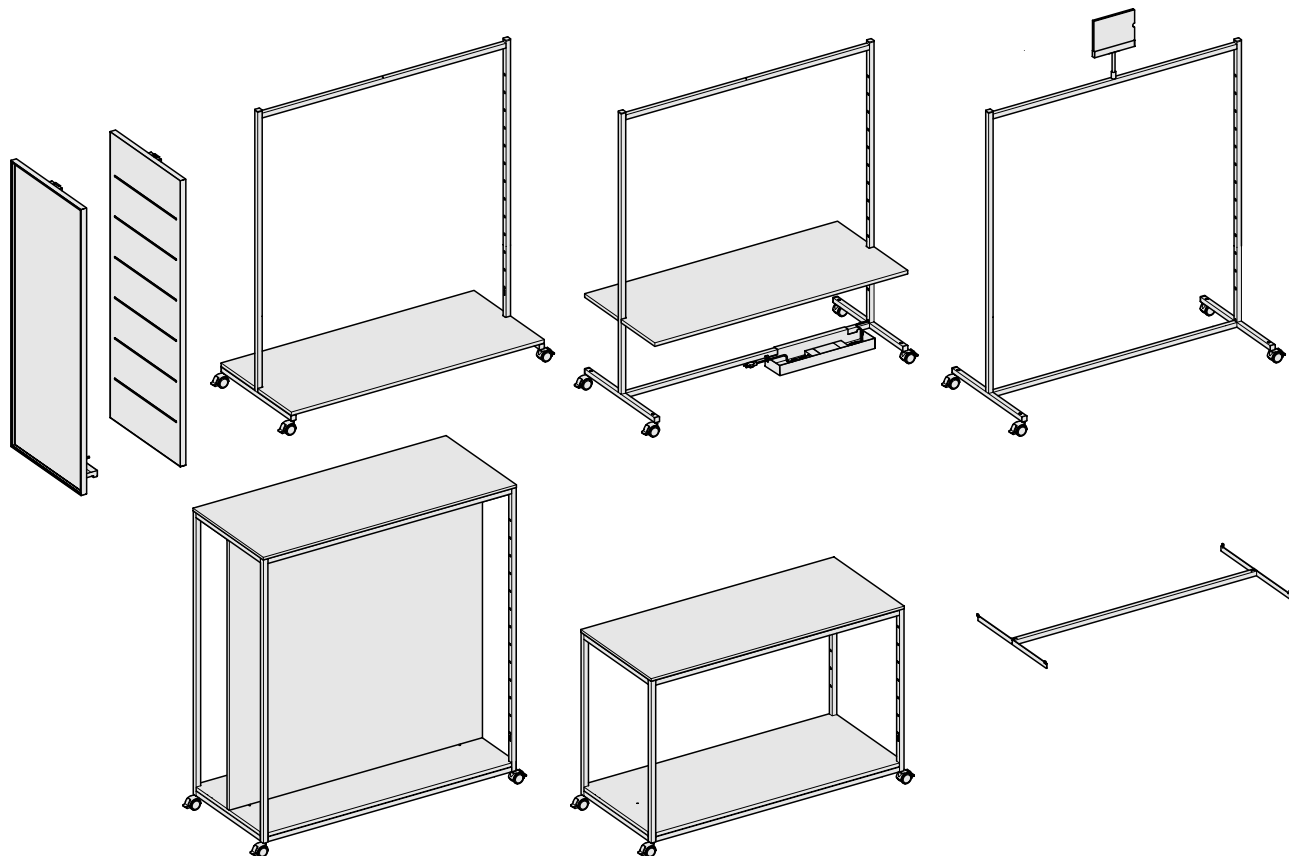


2 Product description

Qubo M is a structural system with shelves and stands fitted with castors for movement.

It is available with and without an integrated power track for supplying electricity to shelves with LED lighting.

The power supply with a 24 V converter is pre-installed in the basic module. Max. power consumption is 90W. There are also 2 different panels that can be adapted to fit the sides of the structures in the H 1460.



3 Unpacking

i You must check the delivery for integrity and completeness before accepting it. Any damage must be documented with the carrier in order to make a claim.

i If necessary, retain the packaging in case further transport is required.

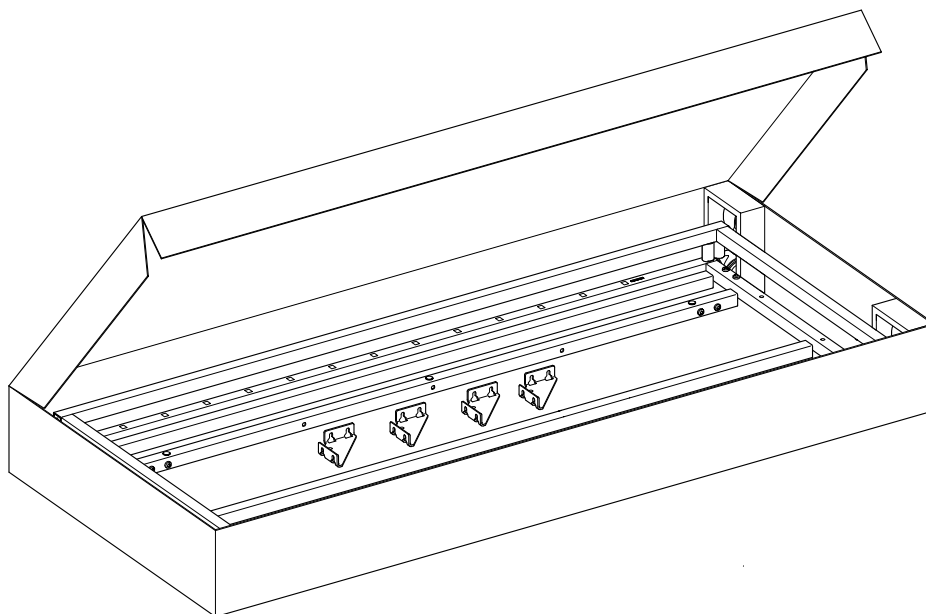
i If necessary, retain the packaging in case further transport is required.

1. Remove the transport lock.
2. Take all parts out of the cardboard box.

NOTE

Hazards to the environment can occur if product components are disposed of improperly.

- ▶ Ensure product components are disposed of in a proper environmental manner or through waste management specialists.
- ▶ Send components that can be recycled for recycling.



4 Assembly

⚠ WARNING

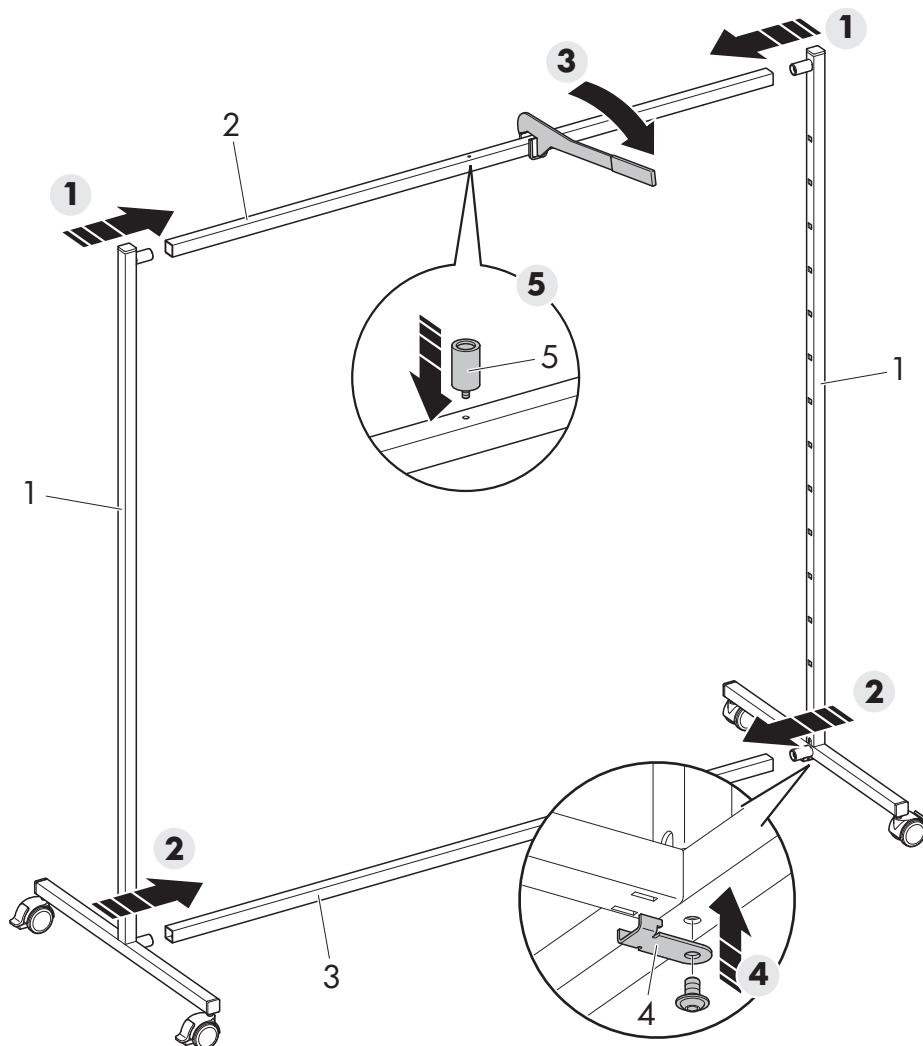
Risk of injury from falling goods or merchandise supports.

If the installation is not executed properly or if the substrate cannot accommodate the necessary loads, the system can fail and cause serious injuries.

- ▶ Do not stand or pass under the suspended load.

4.1 Bar stand

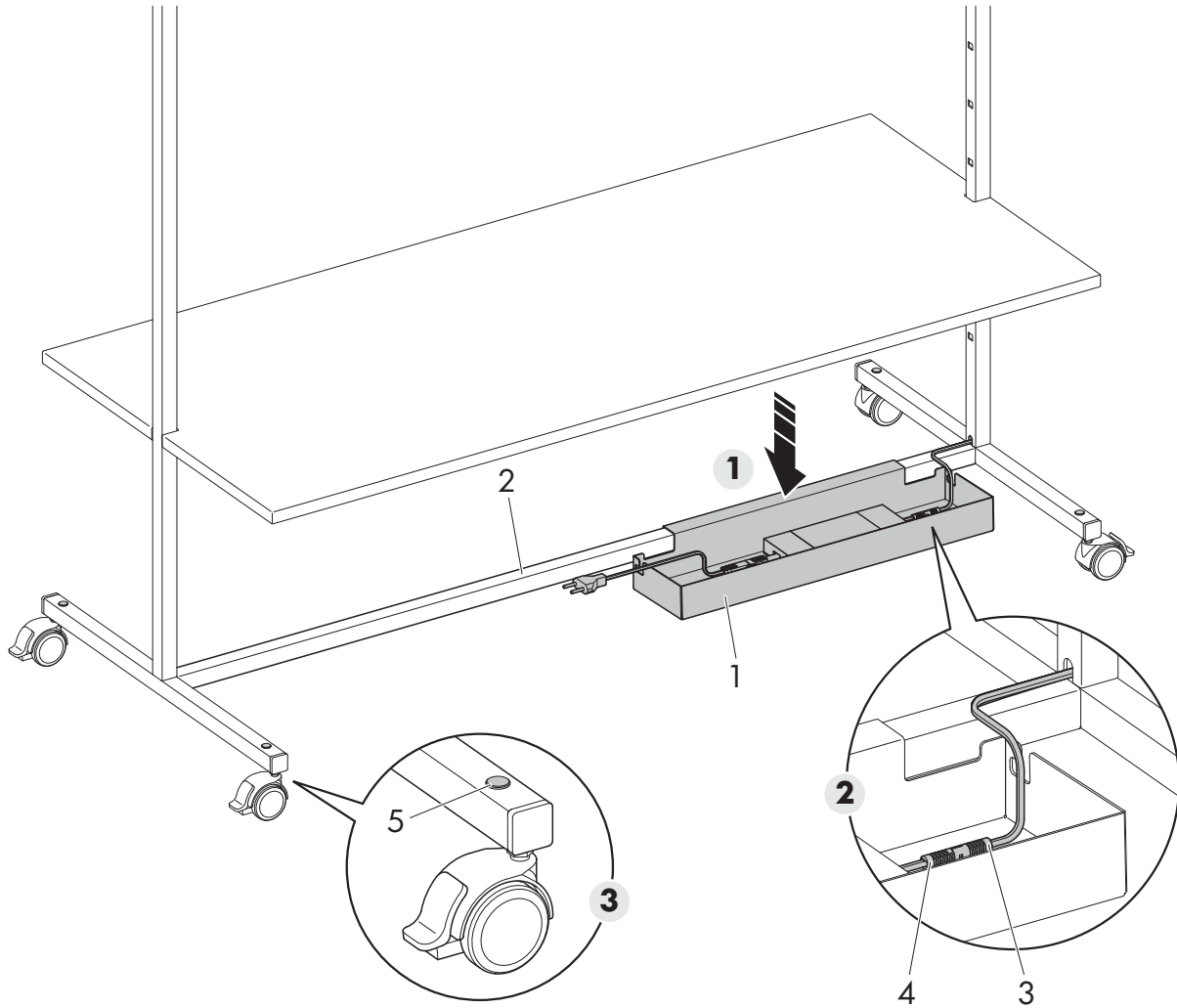
1. Attach the side frame [1] to the upper connecting tube [2] **1**.
 2. Attach the side frame to the lower connecting tube [3] with a double slot **2**.
 3. Rotate the connecting tube by 45° with the assembly tool to lock it in place **3**.
- i** The double slots on the lower connecting tube must point downwards after locking.
- i** There must be no gap between the tube ends and the side frame.
4. Hook the safeguard bracket [4] into the slots on both sides and secure with **M6x10 screws** **4**.
 5. Screw the placard socket holder [5] onto the upper connecting tube **5**.



4.1.1 Electrification

1. Hang the cable tray [1] with inserted converter over the lower connecting tube [2] **1**.
2. Connect the cable [3] from the side frame to the converter [4] **2**.
3. For the cover panel, stick elasticated bumpers [5] on the tube ends above the castors **3**.

i The country-specific mains supply cable (EU/UK) must be ordered separately.



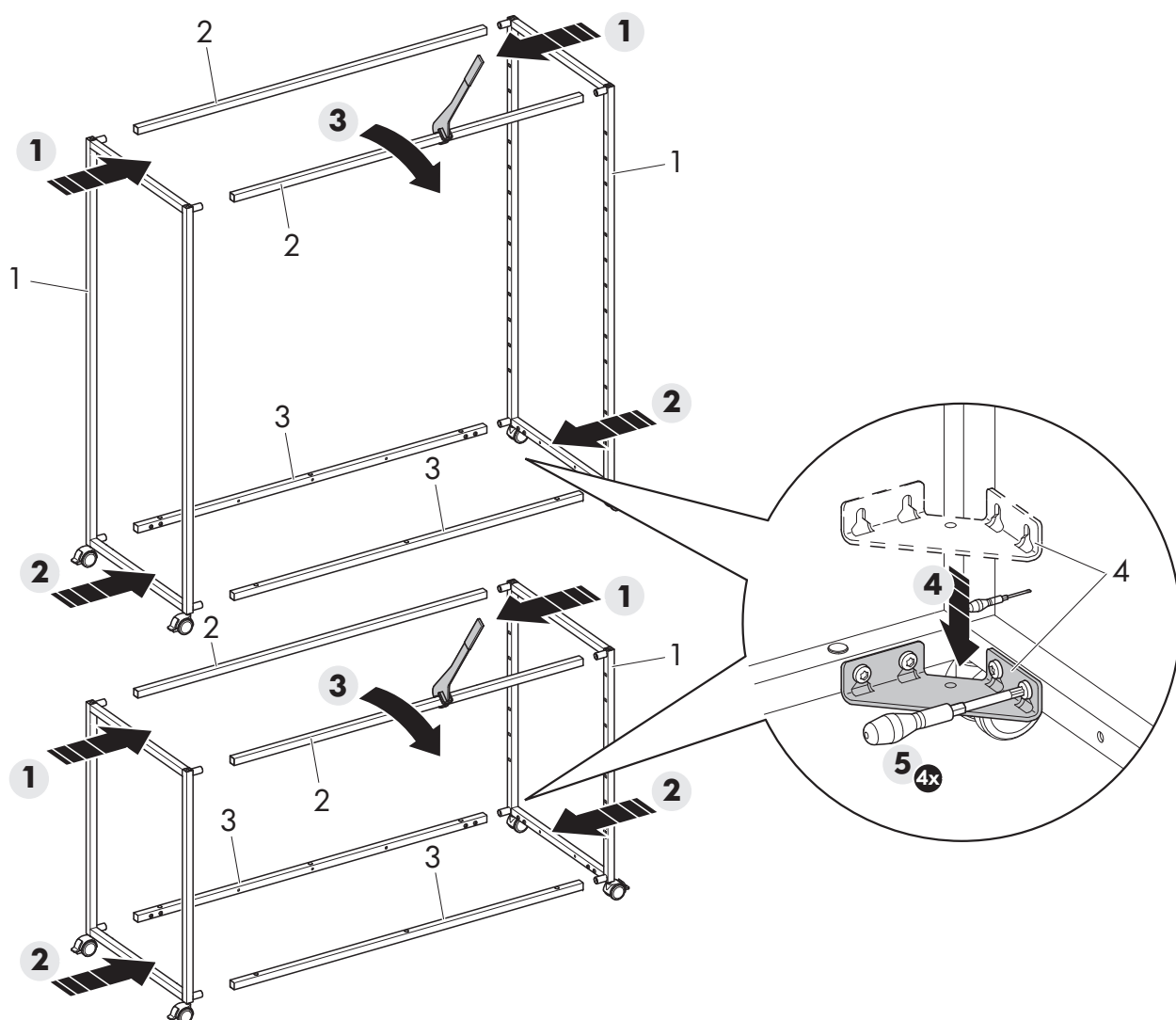
4.2 Gondola and display table

1. Attach the side frame [1] to the upper connecting tubes [2] **1**.
2. Attach the side frame [1] to the lower connecting tubes [3] using pre-assembled screws **2**.
3. Rotate the connecting tubes [3] by 45° with the assembly tool to lock them in place **3**.

i The pre-assembled screws on the lower connecting tubes must point inwards after locking.

i There must be no gap between the tube ends and the side frame.

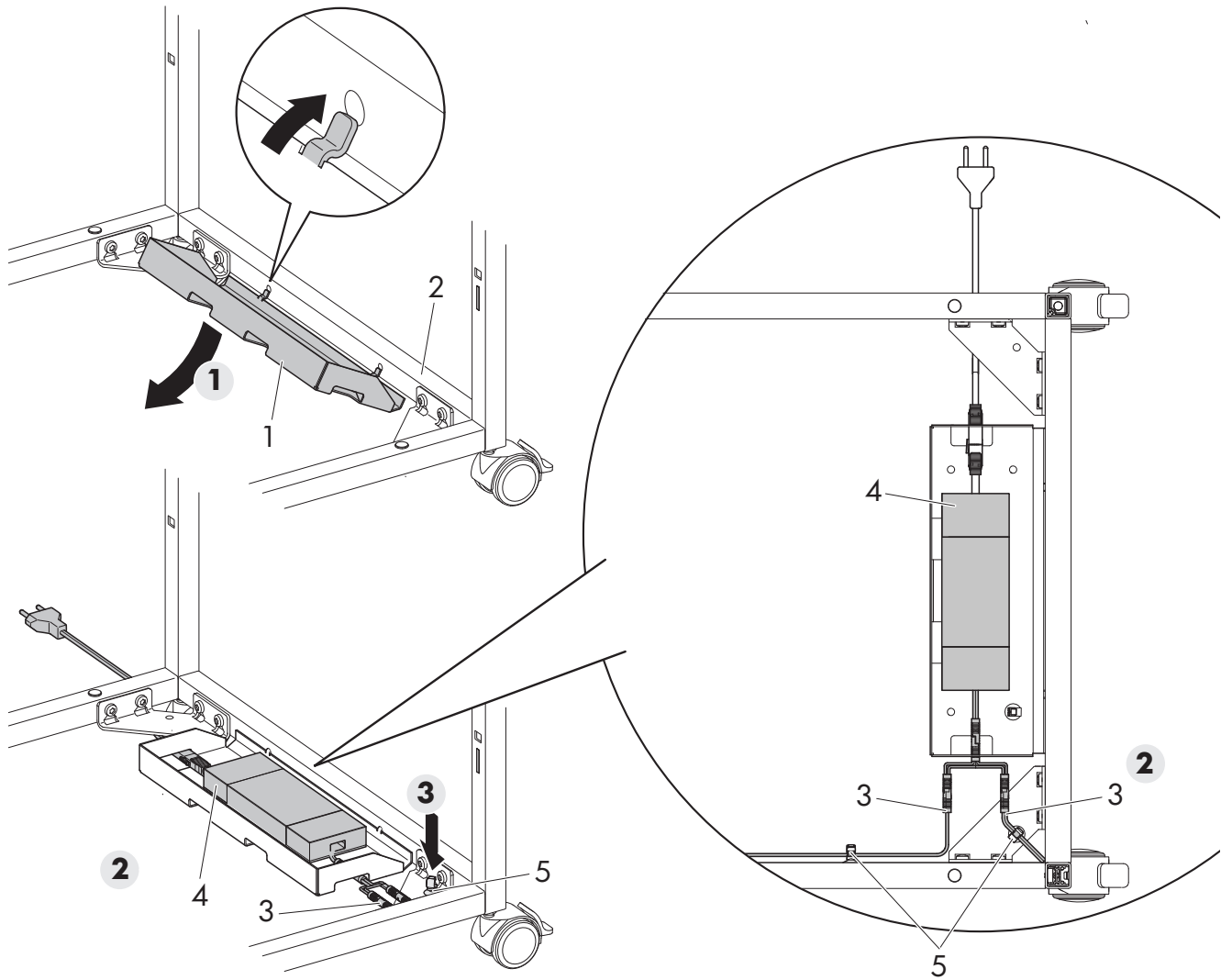
4. Insert the brackets [4] over the pre-assembled screws in the bottom corners of the frames **4**.
5. Tighten screws using a **TX30 wrench** **5**.



4.2.1 Electrification

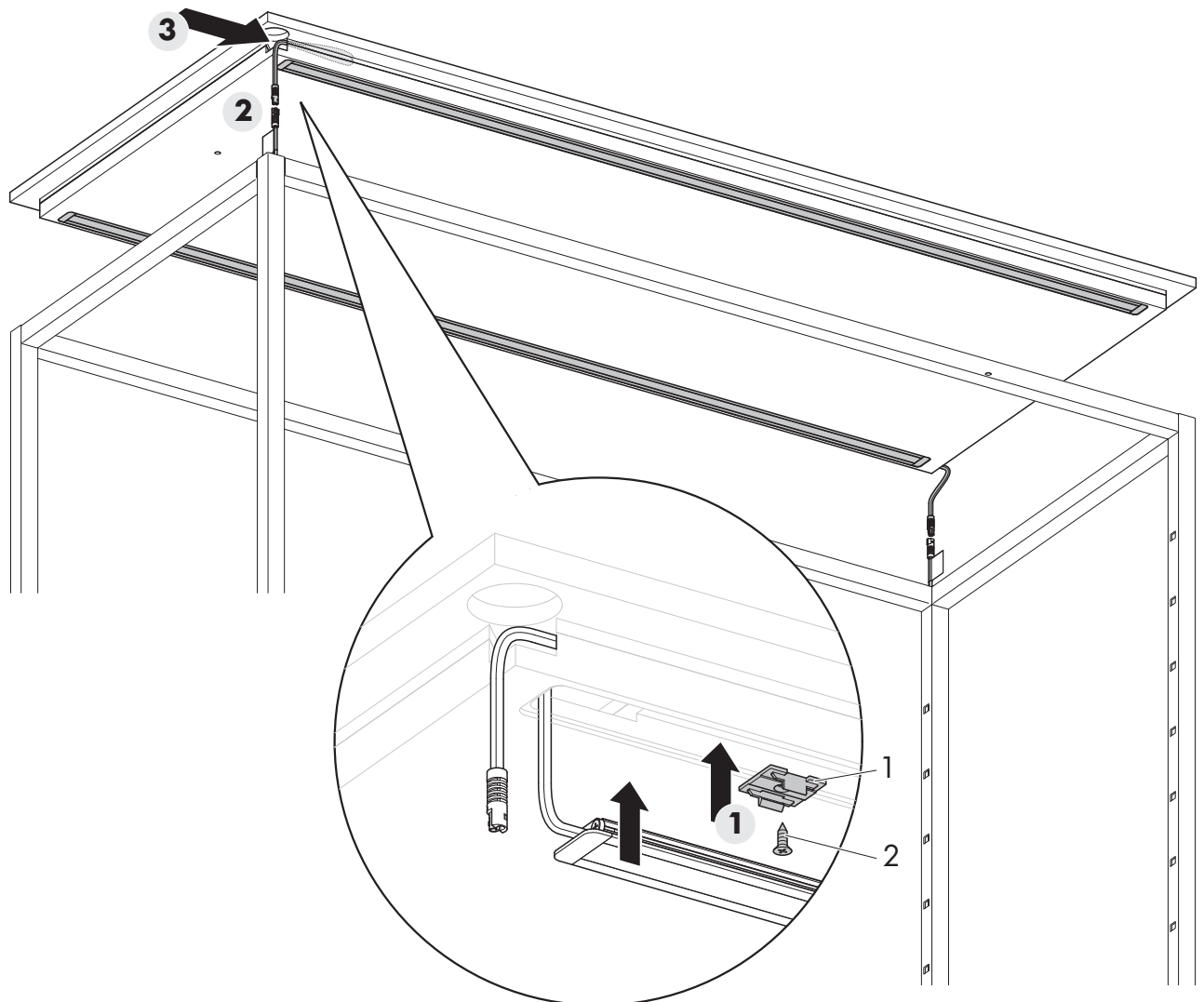
1. Hang the cable tray [1] with inserted converter into the lower side tube [2] **1**.
2. Connect the cables [3] from the opposite side frame to the power junction with the converter [4] **2**.
3. To secure the cables, insert the plastic clips [5] into the D7 holes **3**.

i The country-specific mains supply cable (EU/UK) must be ordered separately.



4.3 LED lighting in the upper top shelf (gondola and display table)

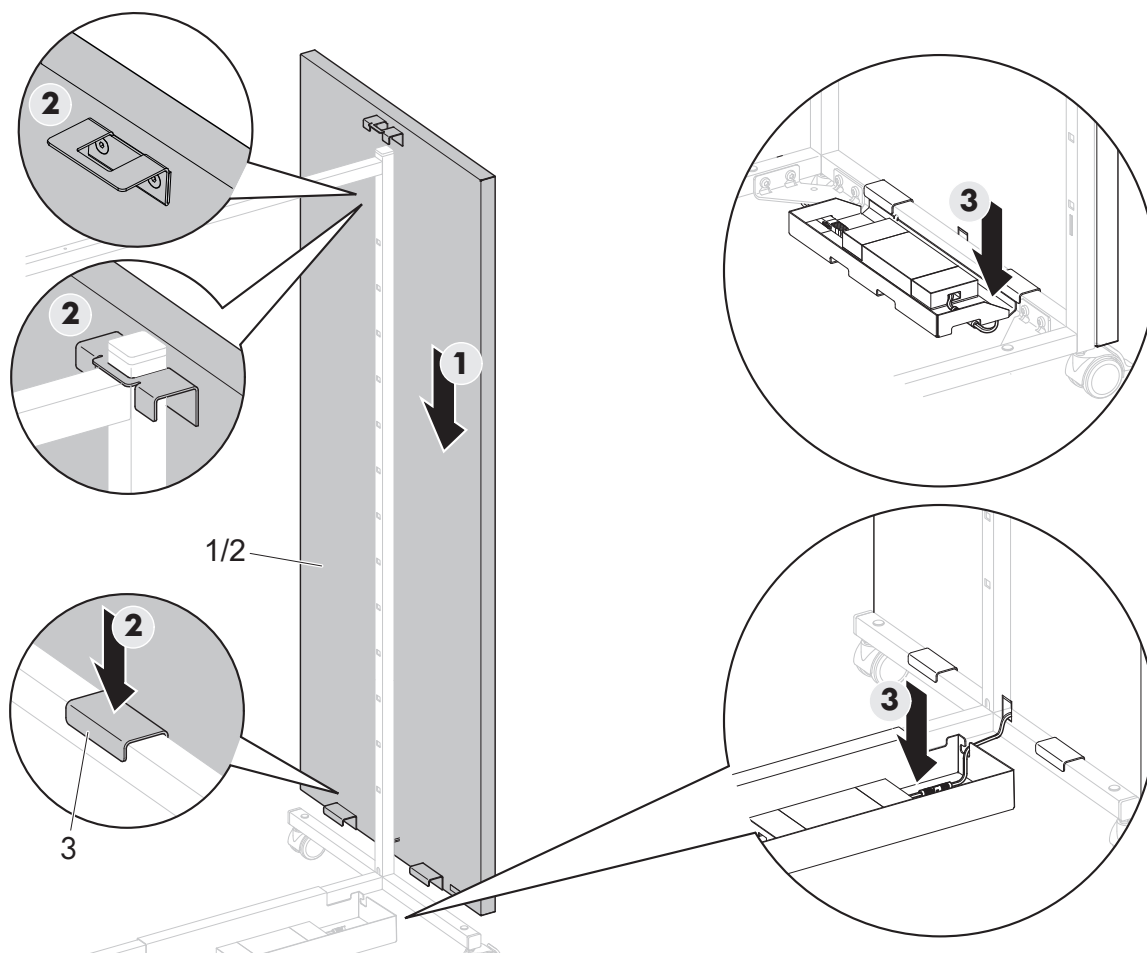
1. Screw the clips [1] into the grooves on the top shelf using countersunk wood screws 3x10 [2].
2. Connect the cables protruding from the top of the side frame of the module to the LED lights.
3. Position the top shelf. Before doing so, stow any excess connection cable in the side pockets of the base.



4.4 LED illuminated frame and Invisible 3 head panel

1. Hook the LED illuminated frame [1] and the Invisible 3 head panel [2] into the side of the modules 1.
2. The upper lug must first be fitted to the rear. Two different lugs are included with the delivery for this purpose. The lug with the opening is designed to be hooked onto the bar stand 2.
3. Hook in the cable tray to connect the LED illuminated frame to the electrical system. Connect the connection cable of the LED illuminated frame to the converter 3.

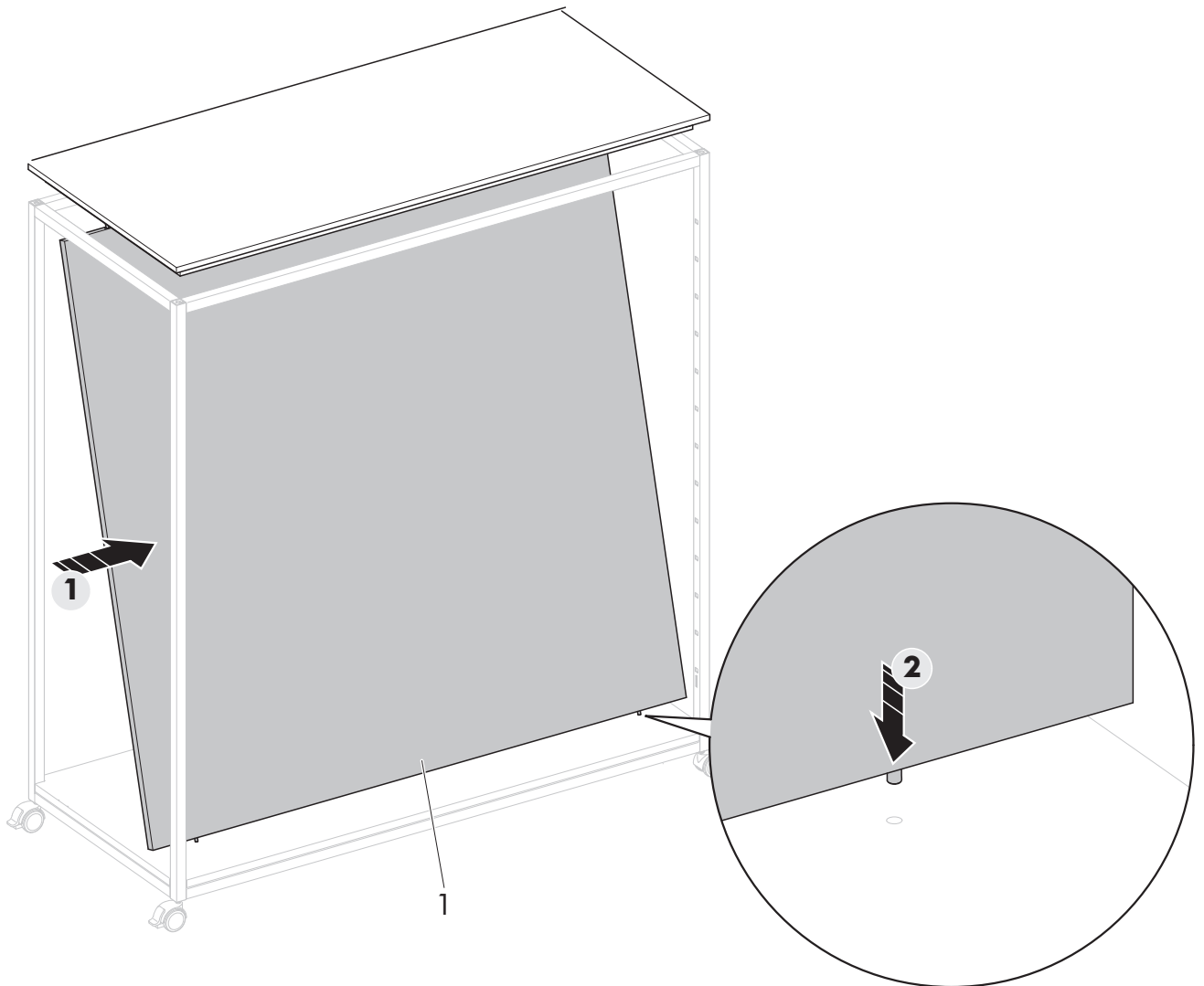
i The country-specific mains supply cable (EU/UK) must be ordered separately.



4.5 Partition

The gondola basic module can be partitioned into two sections with a wooden panel.

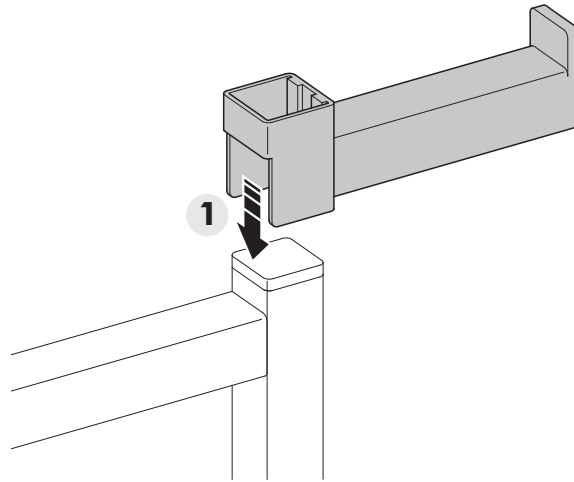
1. Slide the partition [1] into the module from the side **1**.
2. Use dowels to fasten the partition between the upper and lower floor **2**.



4.6 Hanger arm

It is possible to attach arms to both sides of the bar stand for a head-end presentation.

- ▶ Hook the arms into the bar stand **1**.



4.7 Non-electrified shelf frames

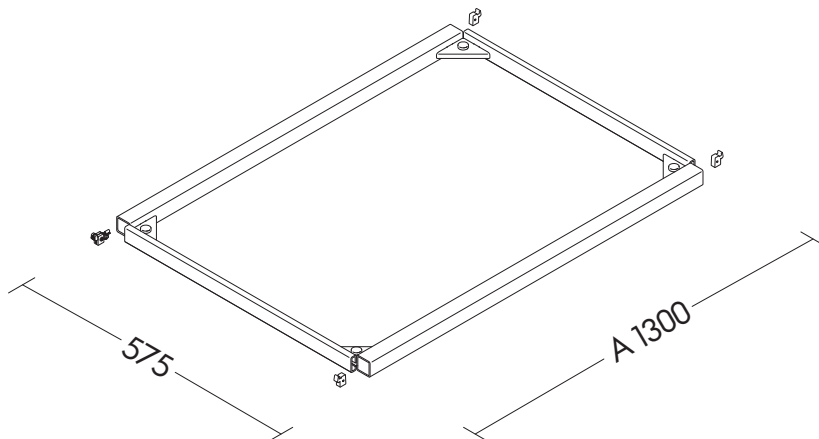
The shelf frames serve to support glass and wooden panel shelves.

- ▶ The frames are suspended between the frames using shelf supports.

Drawing number:

100-0494 Glass panel shelf 1290 mm

100-0362 Wooden panel shelf 1290 mm



4.8 Electrified shelf frame

The shelf frames serve to support glass and wooden panel shelves.

The shelf support set consists of four supports, whereby one of them is for power take-up. An LED luminaire is built into the electrified shelf frame.

- ▶ The frames are suspended between the frames using shelf supports.

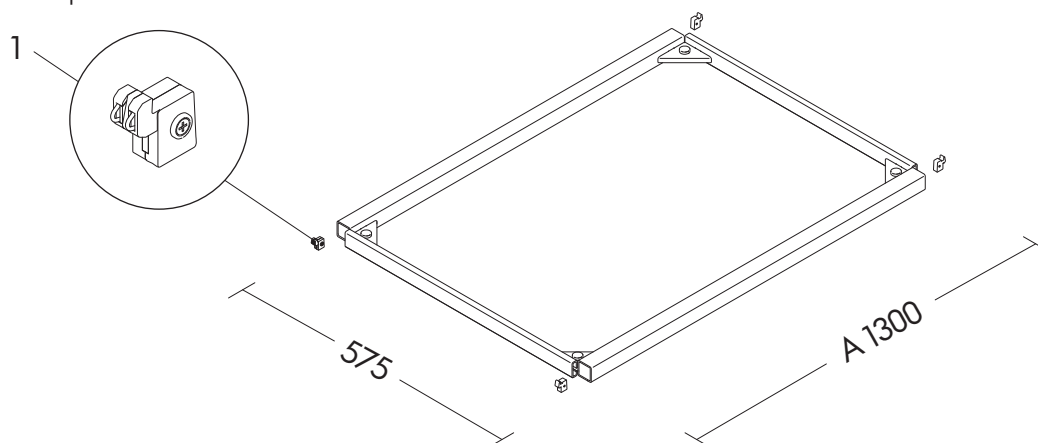
NOTE

When using the electrified version, attention must be paid to the position of the electrified shelf support **[1]** on the shelf frame.

Drawing number:

100-0494 Glass panel shelf 1290 mm

100-0362 Wooden panel shelf 1290 mm



4.9 Support frame for non-electrified shelf

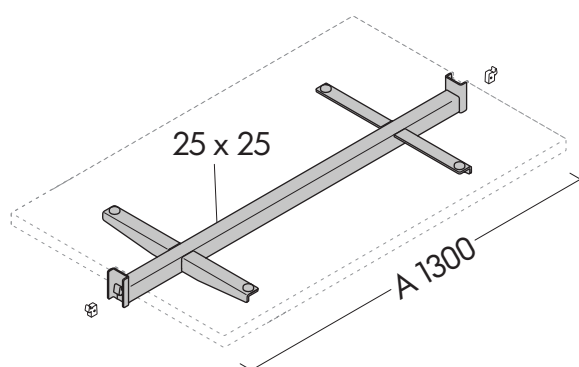
The support frames serve to support glass and wooden shelves.

- ▶ The frames are suspended between the frames using shelf supports.

Drawing number:

100-0264 Glass shelf 1290 mm

100-0266 Wooden shelf 1290 mm



4.10 Support frame for electrified shelf

The support frames serve to support glass and wooden shelves.

- ▶ The support frames are hung between the frames using shelf supports.

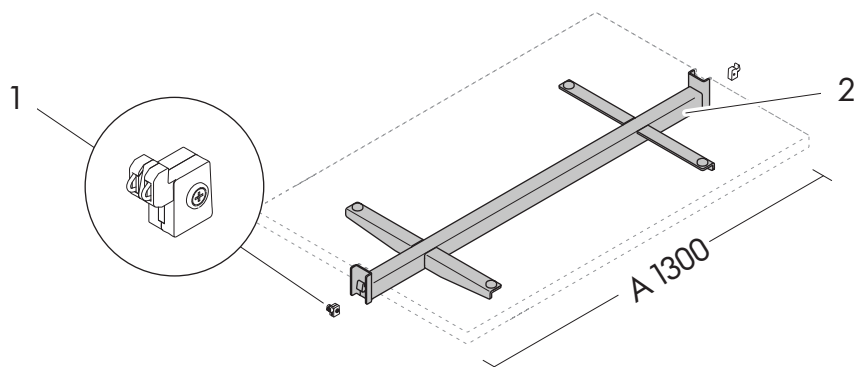
The shelf support set consists of two shelf supports, whereby one of them is used for power consumption. A 5 W/10 W LED light is built into the electrified support frame.

When using the electrified version, attention must be paid to the position of the electrified shelf support [1].

Drawing number:

100-0264 Glass shelf 1290 mm

100-0266 Wooden shelf 1290 mm

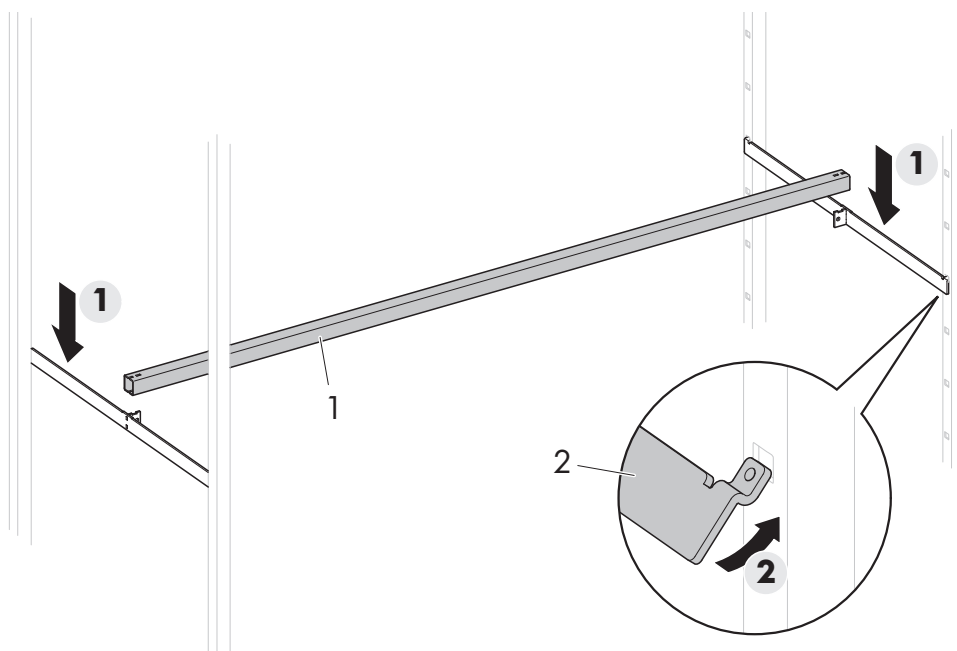


NOTE

When using the electrified version, attention must be paid to the position of the electrified shelf support [1] on the shelf frame. The default position is on the left-hand side.

4.11 Hanging rail for central space

1. Hook in the side holders [1] of the hanging rail 1.
2. Hook the hanging rail [2] into the holder [1] 2.



5 Operation

⚠ WARNING

Risk of injury from falling goods or merchandise supports.

The system can fail if the maximum permissible load of the merchandise support is exceeded.

- ▶ Observe the maximum load values of the individual merchandise supports.
- ▶ Do not exceed the maximum load of 150 kg per module.

5.1 Cleaning

During the course of time, dust and deposits from coat-hangers can settle on the merchandise supports. In order that the goods on display do not become soiled, the merchandise supports must be regularly cleaned.

1. Disconnect the power plug from the socket.
2. Remove goods from the merchandise support.
3. Remove dirt on the merchandise support carefully with a soft, dry cloth.
4. Remove stubborn dirt with a mild cleaning agent.

5.2 Storage

Store the product and its components under the following conditions:

- Do not store outdoors
- Store in a dry and dust-free location
- Protect from sunlight
- Avoid mechanical shocks
- Storage temperature: 23 °C
- Relative humidity: 50%

5.3 Disposal

NOTE

Disposing of product components incorrectly can harm the environment.

- ▶ Ensure product components are disposed of in a proper environmental manner or through waste management specialists.
- ▶ Send components that can be recycled for recycling.
- ▶ Have an approved specialized disposal company dispose of electrical and electronic components.
- ▶ Send metal components for recycling and scrapping.
- ▶ Recycle plastic parts.

6 Technical data

The product can be supplied via one or two 24 V power supply units connected in parallel. All electrical system components are operated using safety extra low voltage (SELV). The maximum power specifications must absolutely be adhered to.

Connected electrical loads

Operating voltage	220-240 V AC
Frequency	50-60 Hz
Nominal voltage (SELV)	24 V DC
Maximum load	90 W
Converter protection class	II
Maximum housing temperature (converter)	90 °C

WARNING

Risk of injury from falling objects and system components.

The system can fail if the maximum permissible load on the system or on its individual components is exceeded.

- ▶ Please note the maximum load value of the individual system parts.
- ▶ Do not exceed the maximum load of 150 kg per frame.

The specified weight loads refer to the components listed in the Visplay manual. The maximum weight loads apply with respect to a uniform load distribution. The load must be reduced immediately if there is visible deflection or deformation of the components.

visplay

www.visplay.com

info@visplay.com